
Section 10. User Input Devices

CONTENTS

About This Section	10-3
Keyboard	10-140-1
Specifications	10-140-1
Removal Procedure	10-140-1
Replacement Procedure	10-140-1
Parts Information	10-140-2
Mouse	10-143-1
Specifications	10-143-1
Removal Procedure	10-143-1
Replacement Procedure	10-143-1
Parts Information	10-143-2
IBM 5083 Tablet	10-145-1
Specifications	10-145-1
Removal Procedure	10-145-2
Replacement Procedure	10-145-2
Parts Information	10-145-3
IBM 5085 Dials Feature	10-146-1
Specifications	10-146-1
Removal Procedure	10-146-2
Replacement Procedure	10-146-2
Parts Information	10-146-3
IBM 5085 Lighted Program Function Keyboard Feature	10-147-1
Specifications	10-147-1
Removal Procedure	10-147-2
Replacement Procedure	10-147-2
Parts Information	10-147-3

About This Section

This section contains information about the user input devices. Use the contents list on the preceding page to find information about your input device.

Pages in this section contain a 3-digit product code in the page number to make future updating easier.

Keyboard

The keyboard connects to the rear of the system unit. The keyboard also contains the system speaker.

The Keyboard is a single field-replaceable unit and cannot be serviced in the field.

Specifications

Number of keys	U.S., 101 WT, 102
Connector	6-Pin keyed
Power	From the system unit

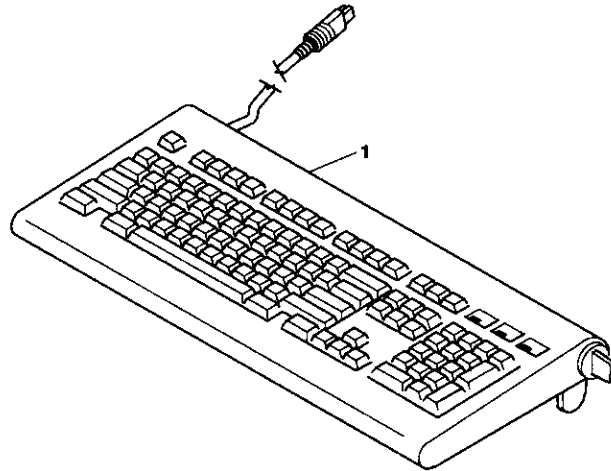
Removal Procedure

1. Do the Rear Cover Removal. If needed, see Section 4.
2. Pull the keyboard cable connector out from the keyboard connector on the system unit.

Replacement Procedure

1. Push the keyboard cable connector into the keyboard connector on the system unit.
2. Do the Rear Cover Replacement. If needed, see Section 4.

Parts Information



AJZB221

Index Number	Part Number	Description
1	1392366	Keyboard, United States English
1	1392374	Keyboard, United Kingdom English
1	1392376	Keyboard, French
1	1392378	Keyboard, German
1	1392382	Keyboard, Spanish
1	1392380	Keyboard, Italian
1	1392388	Keyboard, Portuguese
1	1392384	Keyboard, Danish
1	1392383	Keyboard, Norwegian
1	1392385	Keyboard, Finnish/Swedish
1	1392389	Keyboard, Belgian-French/Dutch
1	1392387	Keyboard, Swiss German/French
1	1392373	Keyboard, Canadian-French

Mouse

The Mouse is a locator device used to control the system. The function controlled by the Mouse is determined by the program.

The Mouse is a single field-replaceable unit.

See the *IBM RT PC Guide to Operations* for the cleaning procedure.

Specifications

Number of buttons	2
Connector	6-Pin keyed
Power	From the system unit

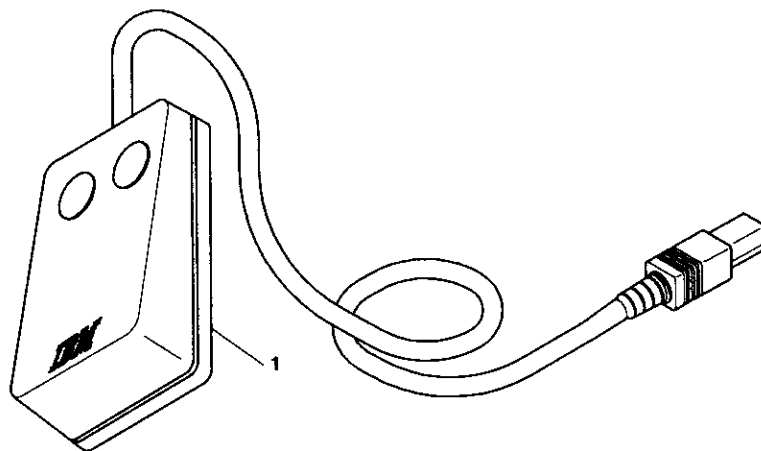
Removal Procedure

1. Do the Rear Cover Removal. If needed, see Section 4.
2. Pull the mouse cable connector out from the mouse connector on the system unit.

Replacement Procedure

1. Push the mouse cable connector into the mouse connector on the system unit.
2. Do the Rear Cover Replacement. If needed, see Section 4.

Parts Information



AJZB223

Index Number	Part Number	Description
1	00F2384	Mouse

IBM 5083 Tablet

The IBM 5083 Tablet is a thin flat-surfaced unit used to input pointing instructions to the system. Either the *Cursor* or the *Stylus* attaches to the Tablet.

The Cursor is a mouse-like device with four buttons. The Stylus is a pen-like device. When the Cursor or the Stylus is moved on the surface of the Tablet, the Tablet provides their location to the software. When the buttons on the Cursor are pressed, or when the Stylus is pressed, the Tablet provides an identifying code to the software.

On models 1, 11, and 12 of the IBM 5083 Tablet, the RT PC 5083 Tablet Cable Kit is required to attach the IBM 5083 Tablet to the IBM RT PC System Unit. The cable from the RT PC 5083 Tablet Cable Kit attaches the IBM 5083 to the M connector on the rear of the system unit. The RT PC 5083 Tablet Cable Kit also includes a clamping device that encloses the connectors.

On models 11A and 12A of the IBM 5083 Tablet, a single cable attaches the tablet to the M connector on the IBM RT PC System Unit.

See the *IBM RT PC Guide to Operations* for the Tablet cleaning procedure.

Specifications

Number of buttons	Cursor, 4 Stylus, 1 (built-in)
Power	From the system unit

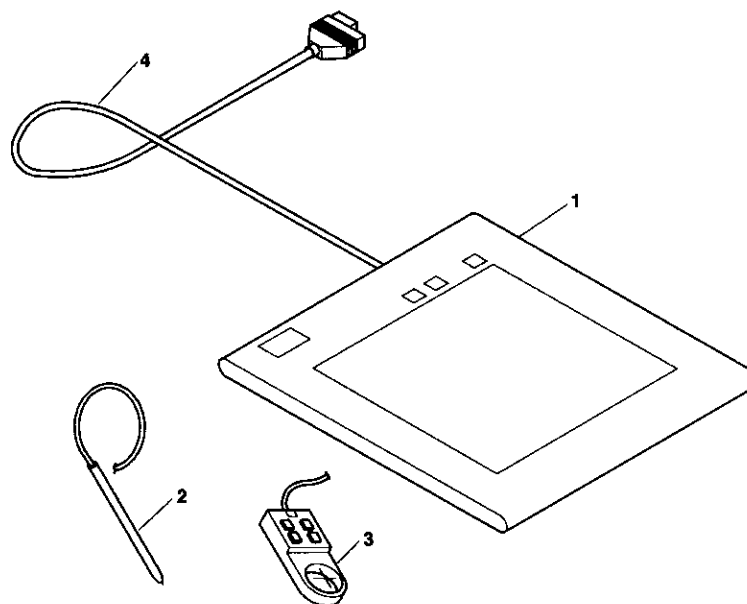
Removal Procedure

1. Set the power switch on the system unit to Off.
2. Do the Rear Cover Removal procedure.
3. Disconnect the cable from the M connector on the rear of the system unit.
4. If present, remove the clamping device and disconnect the IBM 5083 Tablet cable.
5. Disconnect the Stylus or Cursor from the front of the IBM 5083.

Replacement Procedure

1. Connect the Cursor or Stylus into the connector on the front of the IBM 5083.
2. If present, connect the IBM 5083 cable connector to the cable included in the Tablet Cable Kit and install the clamping device.
3. Connect that cable to the M connector on the rear of the system unit.
4. Do the Rear Cover Replacement procedure.
5. Set the power switch on the system unit to On.

Parts Information



AJZB224

Index Number	Part Number	Description
1	6248426	IBM 5083 Model 1 Tablet
1	6248514	IBM 5083 Model 11 Tablet
1	6248513	IBM 5083 Model 12 Tablet
1	6248516	IBM 5083 Model 11A Tablet
1	6248515	IBM 5083 Model 12A Tablet
2	6248427	Stylus for the Model 1
2	6248522	Stylus for the Models 11, 11A, 12, 12A
3	6248428	Cursor for the Model 1
3	6248523	Cursor for the Models 11, 11A, 12, 12A
	6487587	RT PC 5083 Tablet Cable Kit for Models 1, 11, 12
4	6248524	Cable, RT PC to IBM 5083, Models 11A and 12A

IBM 5085 Dials Feature

The IBM 5085 Dials Feature is a desktop unit with eight dials arranged in two rows of four dials. The Dials Feature is used to input analog positional information. The dials can turn completely around without any stops. The software uses the information provided by the Dials Feature.

The RT PC 5080 Peripheral Cable Kit is required to attach the Dials Feature to the IBM RT PC System Unit. The cable from the Peripheral Cable Kit attaches to the end of the Dials Feature cable. The Peripheral Cable Kit also includes a clamping device that encloses the connectors.

Specifications

Number of dials	8
Power	From the adapter
Adapter	RT PC 5080 Peripheral Adapter

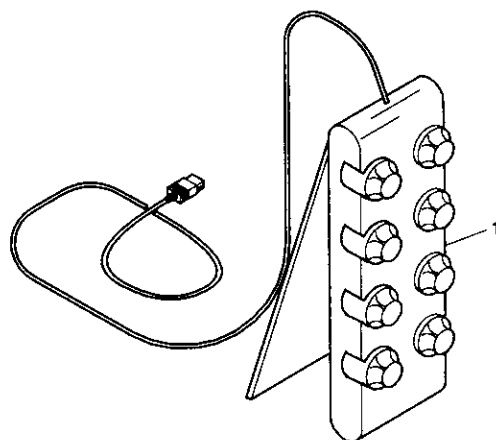
Removal Procedure

1. Set the power switch on the system unit to Off.
2. Do the Rear Cover Removal. If needed, see Section 4.
3. Disconnect the cable to the IBM 5085 Dials Feature from the RT PC 5080 Peripheral Adapter.
4. Remove the clamping device and disconnect the Dials Feature cable.

Replacement Procedure

1. Connect the Dials Feature cable connector to the cable from Peripheral Cable Kit and install the clamping device.
2. Connect the cable to the RT PC 5080 Peripheral Adapter.
3. Do the Rear Cover Replacement. If needed, see Section 4.
4. Set the power switch on the system unit to On.

Parts Information



AJZB225

Index Number	Part Number	Description
1	6248436 6487563	IBM 5085 Dials Feature RT PC 5080 Peripheral Cable

IBM 5085 Lighted Program Function Keyboard Feature

The IBM 5085 Lighted Program Function Keyboard (LPFK) Feature provides additional function keys. The LPFK Feature keys can be lighted individually by the software to indicate which keys are active. The function of each key is determined by the program using the LPFK.

The RT PC 5080 Peripheral Cable Kit is required to attach the LPFK Feature to the IBM RT PC System Unit. The cable from the Peripheral Cable Kit attaches to the end of the LPFK Feature cable. The Peripheral Cable Kit also includes a clamping device that encloses the connectors.

Specifications

Number of keys	32
Power	From the adapter
Adapter	IBM 5080 Peripheral Adapter

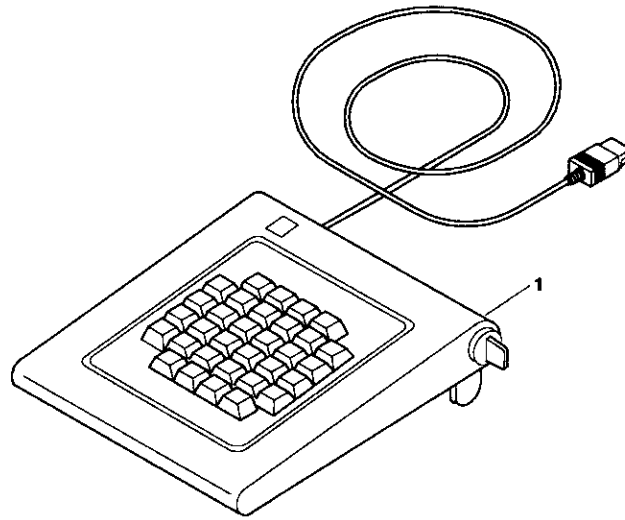
Removal Procedure

1. Set the power switch on the system unit to Off.
2. Do the Rear Cover Removal. If needed, see Section 4.
3. Disconnect the cable to the IBM 5085 LPFK Feature from the RT PC 5080 Peripheral Adapter.
4. Remove the clamping device and disconnect the LPFK Feature Cable.

Replacement Procedure

1. Connect the LPFK Feature cable connector to the cable from Peripheral Cable Kit and install the clamping device.
2. Connect the cable to the RT PC 5080 Peripheral Adapter.
3. Do the Rear Cover Replacement. If needed, see Section 4.
4. Set the power switch on the system unit to On.

Parts Information



AJZB226

Index Number	Part Number	Description
1	6246799 6487563	IBM 5085 LPFK Feature RT PC 5080 Peripheral Cable

