
Section 12. Tape Drive

CONTENTS

About This Section	12-3
IBM 6157 Streaming Tape Drive	12-170-1
Specifications	12-170-1
Removal and Replacement Procedures	12-170-1
Tape Cartridge	12-170-2
Parts Information	12-170-3

About This Section

This section contains information about the IBM 6157 Streaming Tape Drives used by the IBM 6150 System Unit.

Pages in this section contain a 3-digit product code in the page number to make future updating easier.

IBM 6157 Streaming Tape Drive

The IBM 6157 Streaming Tape Drive uses a 1/4-inch tape cartridge. The tape drive contains a power supply and plugs into an outlet.

See *IBM RT PC Streaming Tape Drive Setup and Operating Instructions* for the head cleaning procedure.

Specifications

Tape cartridge	IBM 3M DC300XLP Or equivalent cartridge
Input voltage	U.S., 90 - 137 V ac WT low voltage, 90 - 137 V ac WT high voltage, 180 - 259 V ac
Maximum number	1
Adapter	RT PC Streaming Tape Drive Adapter

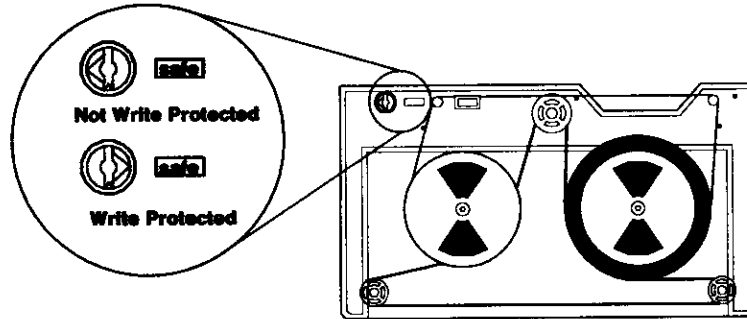
Removal and Replacement Procedures

Use the Attached Device Removal procedures in Section 4.

Use the Attached Device Replacement procedures in Section 4.

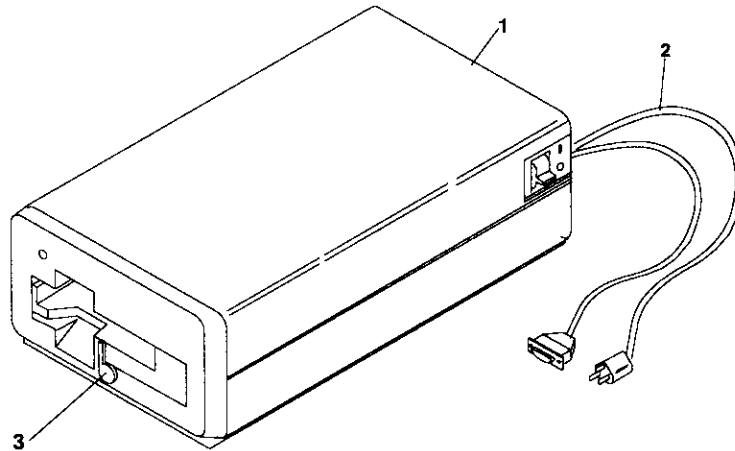
Tape Cartridge

The tape cartridge shown is typical. The write protect switch positions are shown.



AJZB229

Parts Information



AJZB228

Index Number	Part Number	Description
1	08F3391	IBM 6157 tape drive, U.S., WT low voltage
1	6298375	IBM 6157 tape drive, WT high voltage
2		Power cable, see Section 5
3	6453929	Tape lock lever kit

